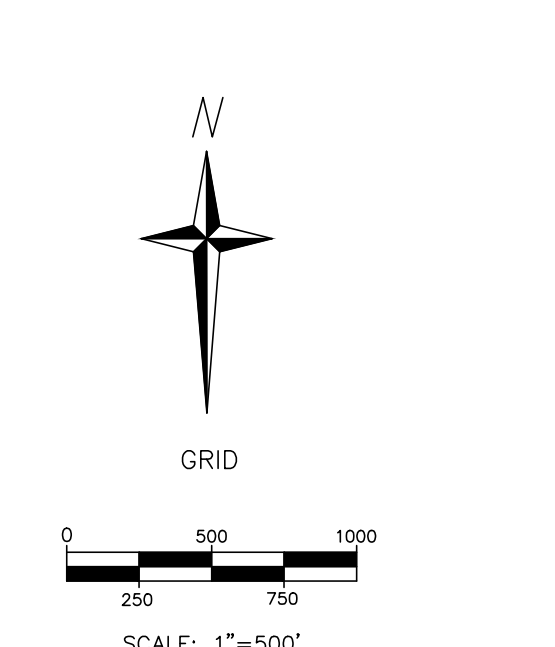
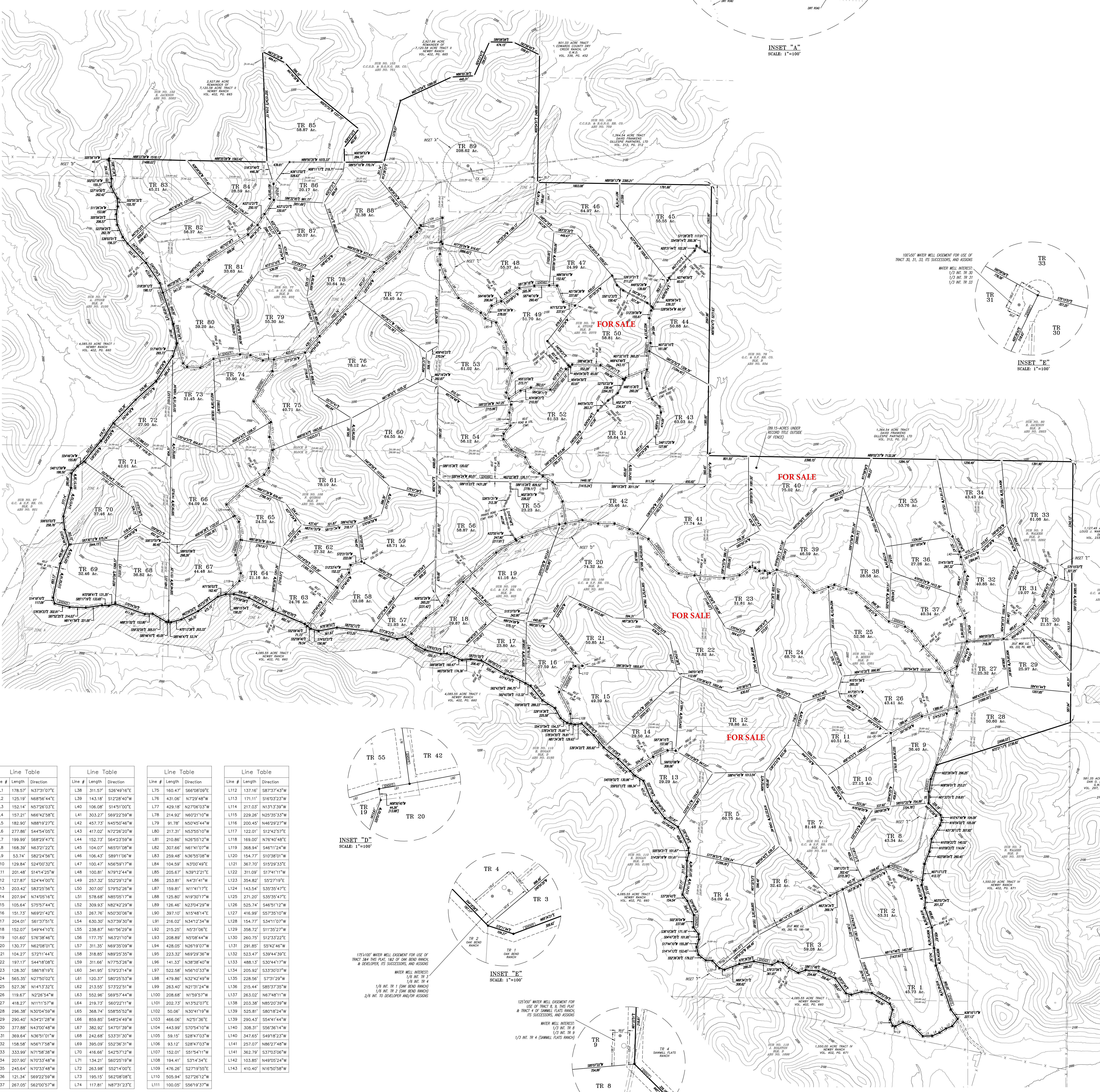
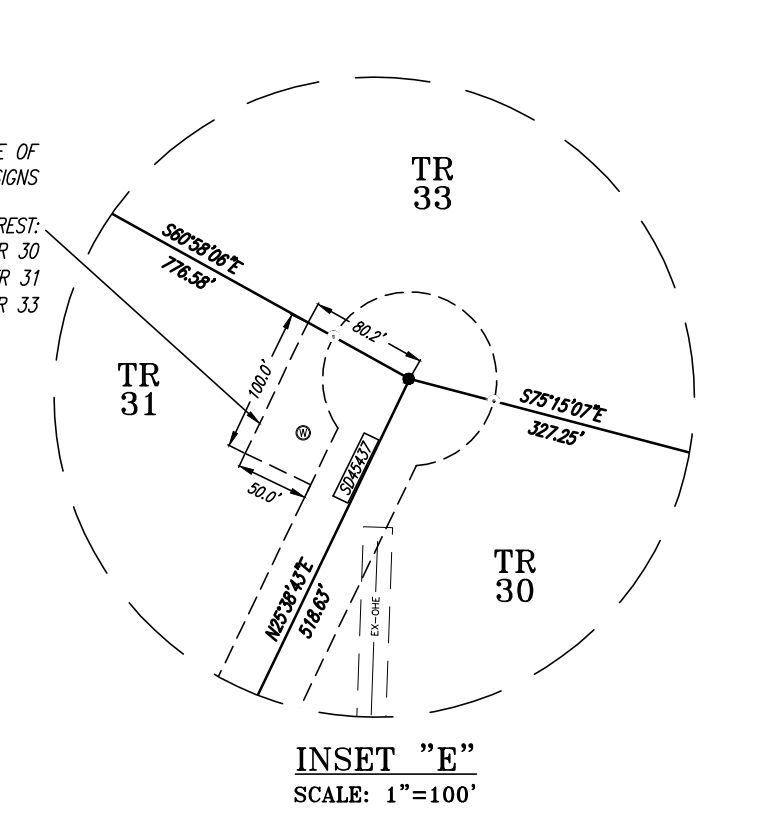
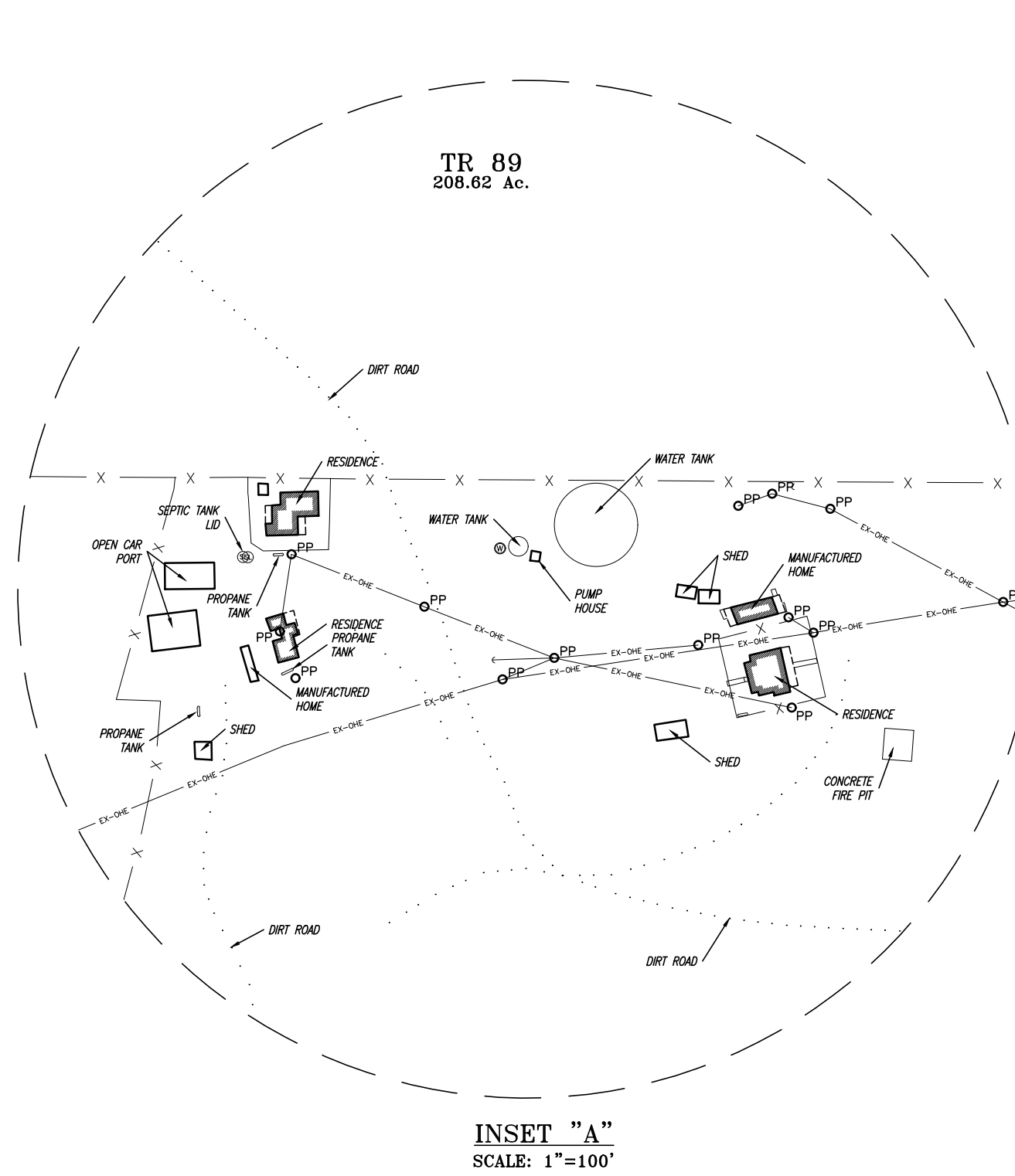
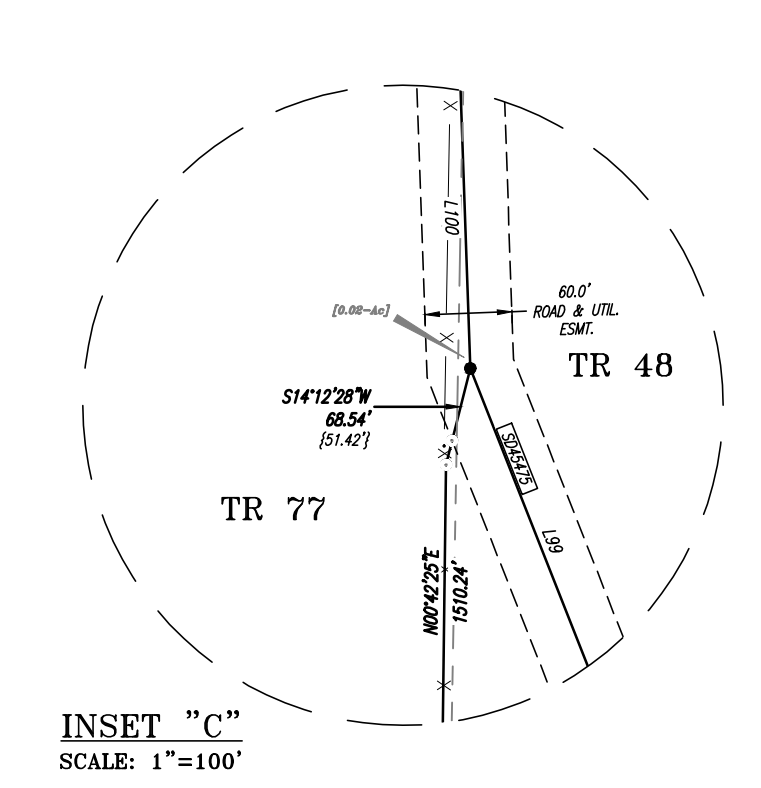
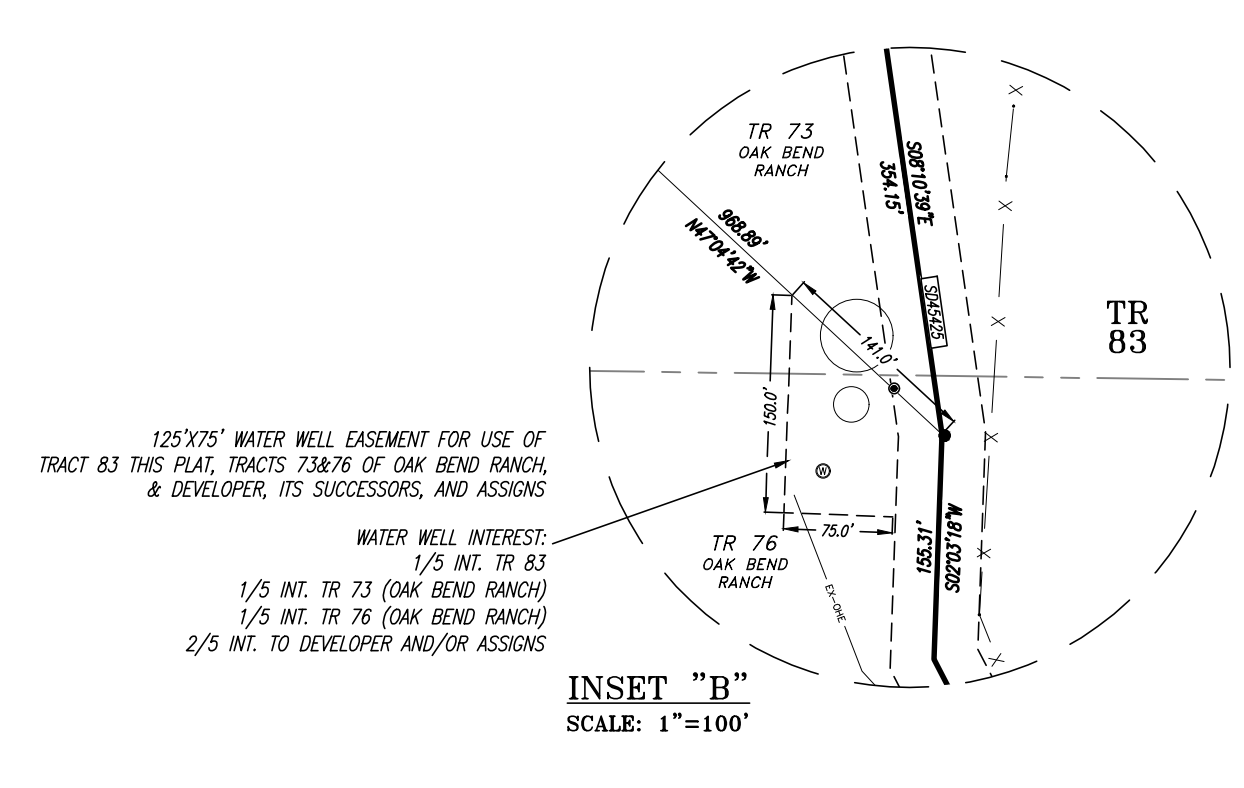


NEWBY HILLS RANCH



- LEGEND**
- FOUND 1/2" IRON ROD WITH CAP 'BUSHING'
 - FOUND IRON ROD
 - 3/4" IRON ROD WITH 2-1/4" ALUMINUM CAP SAMPLED 'MES WELLS 501'
 - 3/4" IRON ROD WITH 1" PLASTIC CAP SAMPLED 'MES WELLS 502'
 - 3/4" IRON ROD WITH 1" PLASTIC CAP SAMPLED 'MES WELLS 503'
 - WELL
 - COURSE VALUE PER RECORD PATENT SURVEY OR DEED (D.A.E.C.)
 - PROPERTY LINE (P)
 - APPROX. PATENT LINE (E)
 - TRACE LINE
 - APPROX. PROPERTY LINE (E)
 - CONTOUR LINES
 - EASIMENT LINE
 - WIRE FENCE LINE
 - UNDERGROUND ELECTRIC LINE
 - APPROX. FLOORPLAN 'ZONE A'



Line #	Length	Direction	Line #	Length	Direction	Line #	Length	Direction	Line #	Length	Direction	
L1	178.57	N37°31'07\"/>	L38	311.57	S26°49'16\"/>	L75	160.47	S66°58'09\"/>	L112	137.16	S87°37'43\"/>	
L2	125.19	N68°56'44\"/>	L39	143.16	S12°28'40\"/>	L76	431.08	N7°29'48\"/>	L113	171.11	S16°03'23\"/>	
L3	152.14	N57°26'03\"/>	L40	106.08	S14°51'00\"/>	L77	429.18	N27°16'03\"/>	L114	217.03	N13°13'39\"/>	
L4	157.21	N66°42'58\"/>	L41	303.27	S69°22'59\"/>	L78	214.92	N80°21'07\"/>	L115	228.28	N25°35'33\"/>	
L5	182.90	N88°19'23\"/>	L42	457.73	N45°50'46\"/>	L79	91.78	N50°45'44\"/>	L116	200.45	N48°29'27\"/>	
L6	277.86	S44°54'05\"/>	L43	417.02	N72°28'20\"/>	L80	217.31	N53°56'10\"/>	L117	122.01	S12°42'57\"/>	
L7	199.98	S80°24'57\"/>	L44	430.39	N37°59'50\"/>	L81	216.02	N34°23'49\"/>	L118	169.00	N76°46'48\"/>	
L8	188.39	N63°12'72\"/>	L45	194.07	N63°01'08\"/>	L82	307.60	N61°10'07\"/>	L119	368.94	S46°11'34\"/>	
L9	53.74	S82°24'74\"/>	L46	106.47	S89°11'06\"/>	L83	259.48	N36°50'08\"/>	L120	154.37	S10°36'07\"/>	
L10	129.84	S24°00'32\"/>	L47	100.47	N58°59'17\"/>	L84	104.59	N37°00'49\"/>	L121	367.70	S19°29'33\"/>	
L11	201.48	S14°24'25\"/>	L48	100.81	N79°12'44\"/>	L85	205.67	N39°12'31\"/>	L122	311.09	S17°41'17\"/>	
L12	127.87	S24°44'00\"/>	L49	257.32	S52°29'12\"/>	L86	255.81	N43°41'41\"/>	L123	354.82	S52°19'19\"/>	
L13	203.42	S83°25'56\"/>	L50	307.00	S79°52'28\"/>	L87	159.81	N11°41'17\"/>	L124	143.54	S35°35'47\"/>	
L14	207.94	N74°05'16\"/>	L51	578.68	N85°05'17\"/>	L88	125.80	N19°20'17\"/>	L125	271.20	S30°35'47\"/>	
L15	105.64	S75°57'44\"/>	L52	309.93	N82°42'29\"/>	L89	126.46	N23°04'29\"/>	L126	525.74	S46°51'12\"/>	
L16	151.73	N89°21'42\"/>	L53	287.78	N50°30'06\"/>	L90	397.10	N15°48'14\"/>	L127	416.99	S57°30'10\"/>	
L17	204.01	S81°57'51\"/>	L54	430.39	N37°59'50\"/>	L91	216.02	N34°23'49\"/>	L128	154.77	S31°11'07\"/>	
L18	152.07	S49°44'10\"/>	L55	238.87	N61°56'20\"/>	L92	215.21	N37°10'25\"/>	L129	328.72	S11°55'07\"/>	
L19	101.60	S76°35'46\"/>	L56	177.72	N63°21'07\"/>	L93	208.89	N59°48'47\"/>	L130	260.79	S12°33'22\"/>	
L20	130.77	N62°08'01\"/>	L57	311.30	N69°35'09\"/>	L94	428.00	N26°19'07\"/>	L131	291.80	S24°46'46\"/>	
L21	104.27	S72°11'44\"/>	L58	318.80	N89°25'35\"/>	L95	223.32	N69°29'36\"/>	L132	523.47	S39°44'39\"/>	
L22	197.17	S44°18'08\"/>	L59	311.66	N75°23'26\"/>	L96	141.33	N38°58'40\"/>	L133	488.13	S30°44'17\"/>	
L23	128.30	S86°18'19\"/>	L60	341.90	S79°23'14\"/>	L97	522.58	N06°10'33\"/>	L134	205.92	S33°30'07\"/>	
L24	565.35	N27°50'02\"/>	L61	120.37	S80°25'33\"/>	L98	479.86	N32°42'49\"/>	L135	228.56	S73°31'29\"/>	
L25	527.36	N41°13'32\"/>	L62	213.50	S73°22'51\"/>	L99	265.40	N21°31'24\"/>	L136	215.44	S80°37'35\"/>	
L26	119.67	N22°54'41\"/>	L63	552.96	S69°57'44\"/>	L100	208.68	N15°50'37\"/>	L137	263.02	N67°48'11\"/>	
L27	418.27	N11°11'57\"/>	L64	219.73	S60°22'11\"/>	L101	302.73	N19°50'07\"/>	L138	203.38	N80°20'39\"/>	
L28	296.98	N30°24'59\"/>	L65	368.74	S58°55'52\"/>	L102	150.80	N30°18'79\"/>	L139	523.81	S08°19'47\"/>	
L29	290.40	N34°21'38\"/>	L66	859.80	S48°24'48\"/>	L103	466.06	N29°11'52\"/>	L140	299.42	S54°41'44\"/>	
L30	377.88	N43°00'48\"/>	L67	382.92	S47°01'59\"/>	L104	443.99	S70°54'07\"/>	L141	306.31	S56°36'14\"/>	
L31	369.64	N36°51'01\"/>	L68	242.68	S33°31'30\"/>	L105	59.10	S28°47'03\"/>	L142	347.65	S49°18'23\"/>	
L32	158.58	N56°17'58\"/>	L69	395.09	S52°36'31\"/>	L106	93.12	S28°47'03\"/>	L143	362.79	S37°03'08\"/>	
L33	333.99	N71°58'38\"/>	L70	416.66	S42°57'12\"/>	L107	150.01	S51°54'11\"/>	L144	103.85	N49°05'24\"/>	
L34	207.90	N70°35'48\"/>	L71	134.21	S60°25'19\"/>	L108	194.41	S31°43'47\"/>	L145	410.40	N16°50'58\"/>	
L35	245.64	N70°35'48\"/>	L72	263.98	S52°14'00\"/>	L109	476.26	S27°19'55\"/>				
L36	121.34	S69°22'59\"/>	L73	195.15	S62°08'08\"/>	L110	505.94	S27°28'12\"/>				
L37	267.05	S82°00'57\"/>	L74	117.81	N87°31'23\"/>	L111	100.05	S56°19'37\"/>				

